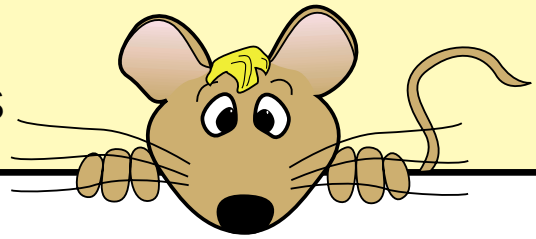




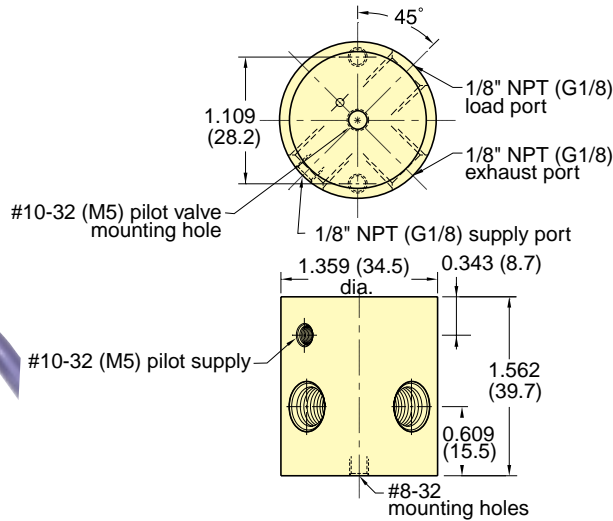
EV, ET, EC SERIES ACCESSORIES



2020/2021

High Flow EC, EV and ET Piloted 3-Way Valves

Designed to be piloted by a Clippard EC, EV and ET manifold mount electronic valve. Output from the EC, EV and ET actuates the valve to produce outputs up to 22 scfm at 100 psig. Combines low wattage, long life and cool running of the EC, EV and ET valves with quick response and high flow of Clippard "Fluidamp" type valves. The 2020 and 2021 are identical in all respects except one. The 2020 has an external #10-32 port for the pressure supply to the EC, EV, and ET electronic pilot valve.



Type: 3-Way Normally Closed, Pressure Piloted Valve

Medium: Air

Input Pressure: 30 to 100 psig; 2.1 to 6.9 bar

Pilot Pressure: (2020) 60% of supply pressure, minimum

Air Flow: 22 scfm at 100 psig/620 l/min @ 6 bar

Response: Approximately 20 milliseconds

Mounting: Mounting holes provided

Ports: Inlet and outlet, exhaust 1/8" NPT Pilot supply on 2020 is #10-32 female

Materials: Anodized Aluminum, Stainless Steel and Buna-N

Additional Note Use only normally closed 3-way pilot valves in conjunction with 2020/2021

Option: Add -MG for Metric Version

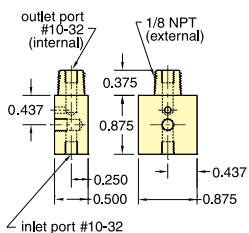
Specialized Manifolds



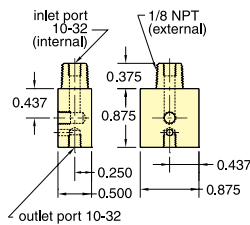
Material: Nickel plated brass

Use: Mount EC, EV and ET valves to any 1/8" NPT supply port

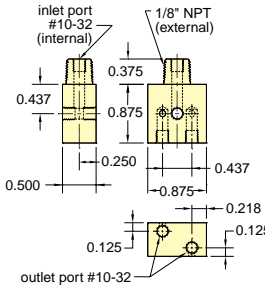
15490-1 and 15490-1-MR (metric).
 #10-32 (M5) Inlet
 1/8" NPT (R1/8) Outlet



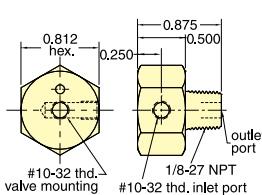
15490-2 and 15490-2-MR (metric).
 1/8" NPT (R1/8) Inlet
 #10-32 (M5) Outlet



15490-3 and 15490-3-MR (metric) Dual Supply.
 1/8" NPT (R1/8) Inlet
 #10-32 (M5) Outlet



15491-1 and 15491-1-MR (metric).
 #10-32 (M5) Inlet
 1/8" NPT (R1/8) Outlet



15491-2 and 15491-1-MR (metric).
 1/8" NPT (R1/8) Inlet
 #10-32 (M5) Outlet

